

DESIGN

Body	"U" section wafer type
End Connection	EN 1092 PN 6, 10 and 16 ASME B16.5 cl. 150 / B16.47 cl. 150 MSS SP 44 cl. 150 AWWA C207 cl. B, D and E BS 10 table D and E
Face to Face	EN558-1/2 Series 20 API 609 Cat. A
Body Seat	Non replaceable Lining bonded to the body
Shaft Seal Design	O-ring bush
Driving Shaft	With indication for position of the disc
Special Design Options	-

TESTING PROCEDURES

Shell strength test	EN 12266-1, P10 ISO 5208 API 598
Shell tightness test	EN 12266-1, P11 ISO 5208 API 598
Seat tightness test	EN 12266-1, P12, Rate A ISO 5208, Rate A API 598
Operability test	EN 12266-2, F20 ISO 5208 API 598

OPTIONS

Anti-Static Design	In accordance with EN 736/3 and API 609
--------------------	---

FUNCTIONAL CHARACTERISTICS

Application	On/off, regulating, control valve
Design pressure PS	Maximum 16 bar
Design temp. TS	-20°C (-4°F) to +200° (392°F)
Flow velocity	Max. 5 m/s for liquids, max. 50 m/s for gases
Seat tightness rate	Bi-directional - ISO 5208 rate A

MARKING & CERTIFICATION

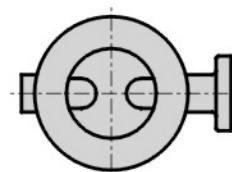
Marking	EN 19, MSS SP 25
Certification	EN 10204 - 2.2, 3.1, 3.2



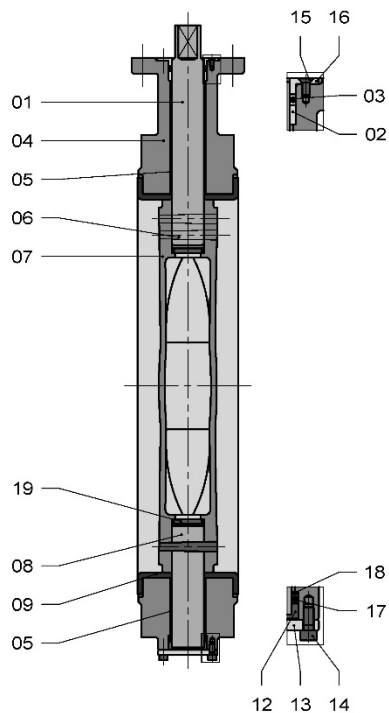
PRODUCT DATA

General Description	BUTTERFLY VALVE - Centric rubber lined
Design Code	EN 593
Size Range	DN 600 - 2200, NPS 24" - 88"
Maximum Pressure	16 bar

PREFERRED POSITION WHEN INSTALLED IN HORIZONTAL PIPELINE



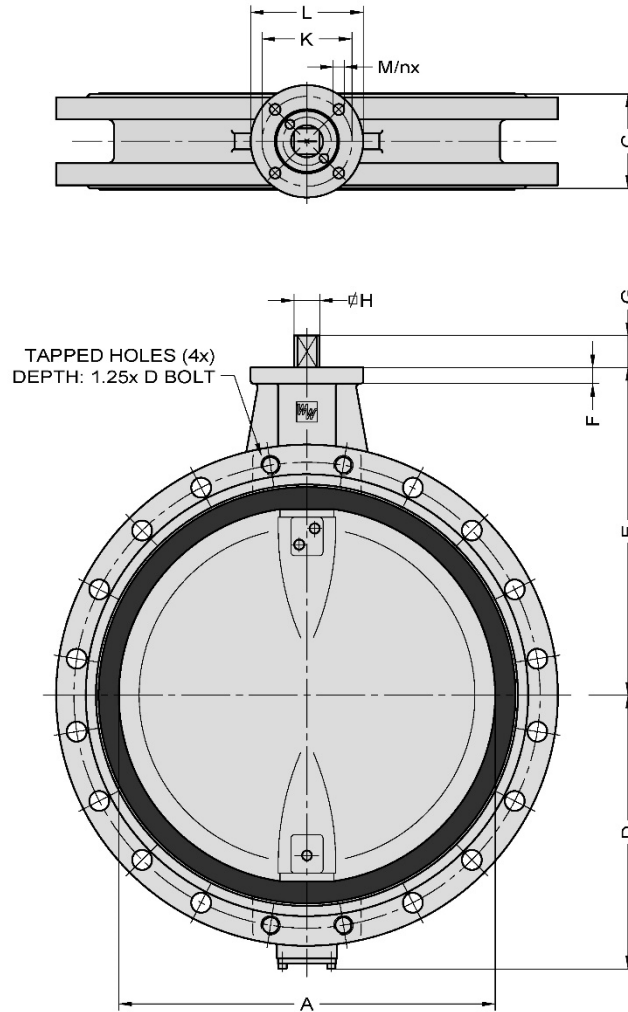
PARTS LIST - EVUS 600-1000 (24"-40")



Item	Description	Material ⁽¹⁾	EN/DIN	Comparable ASTM
01	Shaft	Duplex SS Martensitic SS Aluminium Bronze Monel K500*	1.4462, EN 10088 1.4057, EN 10088 CuAl10Ni5Fe4, EN/DIN 17665 NA 18, BS 3076	A 182, Grade F51 A 276, Grade 431 B 150, C63000 -
02	Bush	Bronze		
03	O-ring	EPDM NBR FPM		
04	Body	Cast Iron Ductile Iron Ductile Iron (low temp.)	JL 1040, EN 1561 JS 1030, EN 1563 JS 1049, EN 1563	A 126, Class B A 395, 60-40-18 -
05	Bearing	St. / PTFE Lining Bronze / PTFE Lining		
06	Conical pin	See ITEM 01	See ITEM 01	See ITEM 01
07	Disc	Austenitic SS Duplex SS Ductile Iron / Rilsan coated Aluminium Bronze Aluminium Bronze	1.4408, EN 10213 1.4517, EN 10213 JS 1030, EN 1563 G-CuAl10Ni, DIN 1714 -	A 351, CF8M A 351, CD-4MCu A 395, 60-40-18 B 148, C95800 B 148, C95500
08	Shaft	See ITEM 01	See ITEM 01	See ITEM 01
09	Lining	EPDM NBR FPM		
12	Axial bearing	Bronze		
13	Cover plate	St./Zn5C		
14	Cylinder head screw	St./Zn5C		
15	Counter sunk screw	St./Zn5C		
16	Collar bearing	Bronze		
18	Ring	Bronze		
19	Sealing plate	St./NBR St./FPM		

⁽¹⁾ Other materials on request

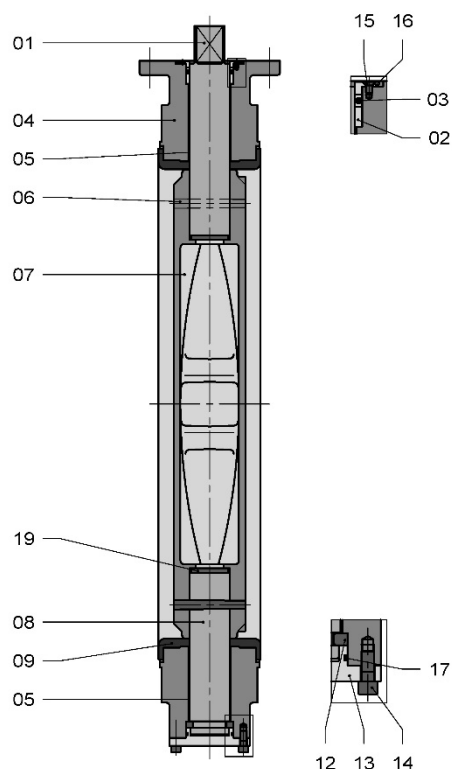
DIMENSIONS - EVUS 600-1000 (24"-40")



DN	NPS	A	B	C	D	E	F	G	H	ISO 5211	K	L	M	n	MASS ±kg
600	24"	584		154	426	510	25	50	40	F14	140	175	17	4	285
700	28"	686		165	517	560	25	60	46	F16	165	210	21	4	323
750	30"	736		190	524	585	25	60	46	F16	165	210	21	4	375
800	32"	786		190	549	610	25	60	46	F16	165	210	21	4	425
800 ⁽¹⁾	32"	786		190	549	610	30	90	60	F25	254	300	17	8	425
900	36"	886		203	625	690	30	90	60	F25	254	300	17	8	560
1000	40"	986		216	675	740	30	90	60	F25	254	350	17	8	760
1000	40"	986		216	675	740	30	90	60	F30	298	350	21	8	760

⁽¹⁾ For 16 bar trim only.

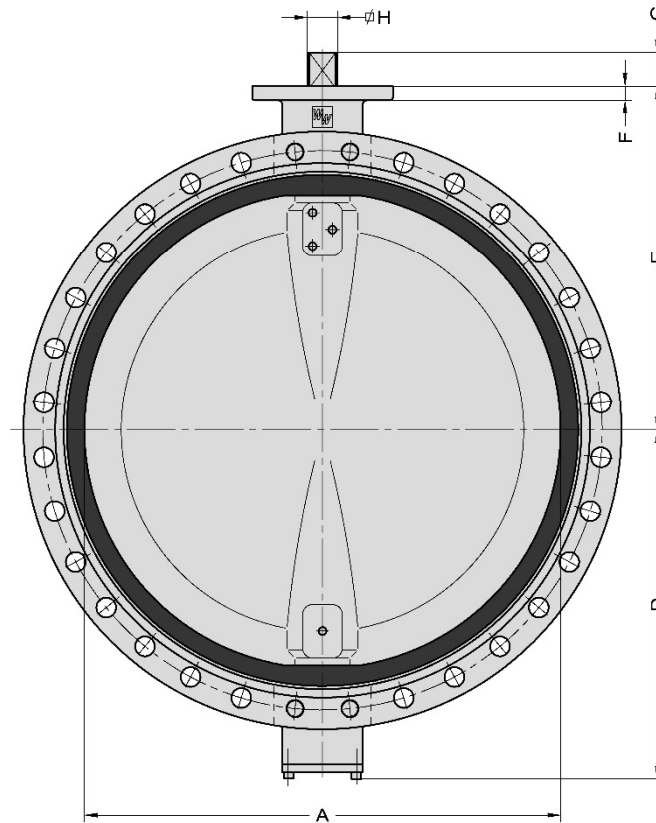
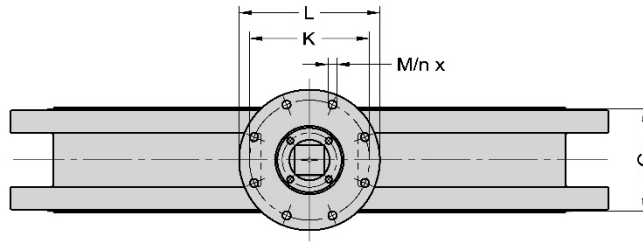
PARTS LIST - EVS 1050-2400 (42"-96")



Item	Description	Material ⁽¹⁾	EN/DIN	Comparable ASTM
01	Shaft	Duplex SS Martensitic SS Aluminium Bronze Monel K500*	1.4462, EN 10088 1.4057, EN 10088 CuAl10Ni5Fe4, EN/DIN 17665 NA 18, BS 3076	A 182, Grade F51 A 276, Grade 431 B 150, C63000 -
02	Bush	Bronze		
03	O-ring	EPDM NBR FPM		
04	Body	Cast Iron Ductile Iron	JL 1040, EN 1561 JS 1030, EN 1563	A 126, Class B A 395, 60-40-18
05	Bearing	St. / PTFE Lining Bronze / PTFE Lining		
06	Conical pin	See ITEM 01	See ITEM 01	See ITEM 01
07	Disc	Austenitic SS Duplex SS Ductile Iron / Rilsan coated Aluminium Bronze Aluminium Bronze	1.4408, EN 10213 1.4517, EN 10213 JS 1030, EN 1563 G-CuAl10Ni, DIN 1714 -	A 351, CF8M A 351, CD-4MCu A 395, 60-40-18 B 148, C95800 B 148, C95500
08	Shaft	See ITEM 01	See ITEM 01	See ITEM 01
09	Lining	EPDM NBR FPM		
12	Axial bearing	Bronze		
13	Cover plate	St./Zn5C		
14	Cylinder head screw	St./Zn5C		
15	Counter sunk screw	St./Zn5C		
16	Flanged bush	Bronze		
17	O-ring	EPDM NBR FPM		
19	Sealing plate	St./NBR St./FPM		

⁽¹⁾ Other materials on request

DIMENSIONS - EVUS 1050-2400 (42"-96")



DN	NPS	A		C	D	E	F	G	H	ISO 5211	K	L	M	n	MASS ±kg
1050	42"	1036		216	699	740	30	90	60	F25	254	350	17	8	880
1100	44"	1086		235	816	805	35	85	75	F30	298	415	21	8	900
1200	48"	1186		254	866	855	35	85	75	F30	298	415	21	8	1100
1200	48"	1186		254	866	855	35	85	75	F35	356	415	31	8	1100
1300	52"	1286		⁽¹⁾ 279	916	955	35	85	75	F30	298	415	21	8	1250
1300	52"	1286		⁽¹⁾ 279	916	955	35	85	75	F35	356	415	31	8	1250
1400	56"	1386		279	966	955	35	85	75	F35	356	415	31	8	1800
1400	56"	1386		279	966	955	35	100	90	F35	356	415	31	8	1800
1500	60"	1484		⁽¹⁾ 318	1047	1034	50	100	90	F35	356	415	31	8	2180
1500	60"	1484		⁽¹⁾ 318	1047	1034	50	120	105	F35	356	415	31	8	2180
1600	64"	1586		318	1086	1129	50	100	90	F35	356	495	31	8	2450
1600	64"	1586		318	1086	1129	50	120	105	F40	406	495	37	8	2450
1700	68"	1676		⁽¹⁾ 337	1143	1126	50	120	105	F40	406	495	37	8	2500
1700	68"	1676		⁽¹⁾ 337	1143	1126	50	140	120	F40	406	495	37	8	2500
1800	72"	1776		356	1192	1176	50	100	105	F40	406	495	37	8	3200
1800	72"	1776		356	1192	1176	50	120	120	F40	406	495	37	8	3200
2000	80"	1976		406	1291	1319	50	120	105	F40	406	495	37	8	3400
2000	80"	1976		406	1291	1319	50	140	120	F40	406	495	37	8	3400
2100	84"	2080		⁽¹⁾ 406	1346	1399	50	120	105	F40	406	560	37	8	4800
2100	84"	2080		⁽¹⁾ 406	1346	1399	50	140	120	F48	483	560	37	12	4800
2200	88"	2180		⁽¹⁾ 406	1396	1419	50	120	105	F40	406	560	37	8	4470
2200	88"	2180		⁽¹⁾ 406	1396	1419	50	140	120	F48	483	560	37	12	4470

⁽¹⁾ Manufacturers standard