

DESIGN

Body	Double Flanged type
End Connection	EN 1092 PN 6, 10 and 16 ASME B16.5 cl. 150 / B16.47 cl. 150 MSS SP 44 cl. 150 AWWA C207 cl. B, D and E BS 10 table D and E JIS 5K/10K/16K
Face to Face	EN 558-1/2 Series 14 ISO 5752 Series 14
Body Seat	Non replaceable Lining bonded to the body
Shaft Seal Design	O-ring bush
Driving Shaft	With indication for position of the disc
Special Design Options	-

TESTING PROCEDURES

Shell strength test	EN 12266-1, P10 ISO 5208 API 598
Shell tightness test	EN 12266-1, P11 ISO 5208 API 598
Seat tightness test	EN 12266-1, P12, Rate A ISO 5208, Rate A API 598
Operability test	EN 12266-2, F20 ISO 5208 API 598

OPTIONS

Anti-Static Design	In accordance with EN 736/3 and API 609
--------------------	---

FUNCTIONAL CHARACTERISTICS

Application	On/off, regulating, control valve
Design pressure PS	Maximum 16 bar
Design temp. TS	-20°C (-4°F) to +200° (392°F)
Flow velocity	Max. 5 m/s for liquids, max. 50 m/s for gases
Seat tightness rate	Bi-directional - ISO 5208 rate A

MARKING & CERTIFICATION

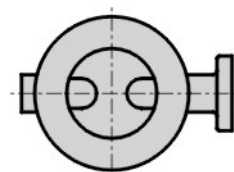
Marking	EN 19, MSS SP 25
Certification	EN 10204 - 2.2, 3.1, 3.2



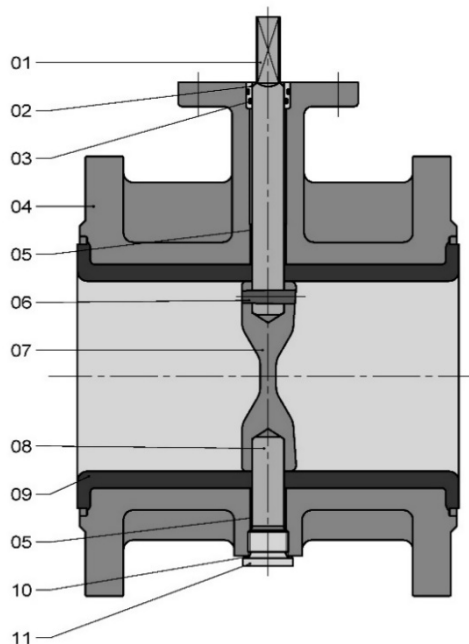
PRODUCT DATA

General Description	BUTTERFLY VALVE - Centric rubber lined
Design Code	EN 593
Size Range	DN 50 - 2000, NPS 2"- 80"
Maximum Pressure	16 bar

PREFERRED POSITION WHEN INSTALLED IN HORIZONTAL PIPELINE



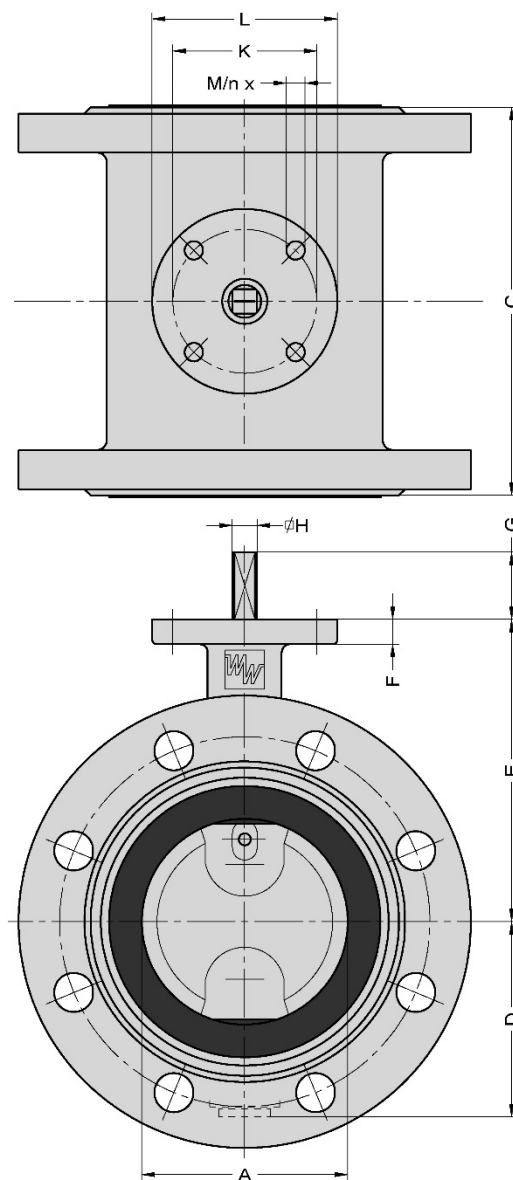
PARTS LIST - EVFL 50-350 (2"-14")



Item	Description	Material ⁽¹⁾	EN/DIN	Comparable ASTM
01	Shaft	Duplex SS Super Duplex SS Martensitic SS Aluminium Bronze Monel K500* Hastelloy-C*	1.4462, EN 10088 1.4501, EN 10272 1.4057, EN 10088 CuAl10Ni5Fe4, EN 12163 NA 18, BS 3076 -	A 182, Grade F51 A 479, UNS 32760 A 276, Grade 431 B 150, C63000 - B 547, N10276
02	Bush	Bronze		
03	O-ring	EPDM NBR FPM		
04	Body	Ductile Iron Ductile Iron (low temp.) Aluminium Bronze Bronze Bronze Bronze	5.3106, EN 1563 (JS1030) 5.3103, EN 1563 (JS1049) CC333G, EN 1982 2.1096.01, DIN 1705 (CC491K, EN 1982) 2.1086.01, DIN 1705 (CC482K, EN 1982) CC493K, EN 1982	A 395, 60-40-18 - B 148, C95800 B 584, C83600 B 584, C90500 B 584, C93200
05	Bearing	St. / PTFE Lining Bronze / PTFE Lining		
06	Conical pin	See ITEM 01	See ITEM 01	See ITEM 01
07	Disc	Duplex SS Super Duplex SS Martensitic SS Ductile Iron / Rilsan coated ⁽²⁾ Aluminium Bronze Aluminium Bronze Hastelloy-C* CuNi	1.4462, EN 10088 1.4469, EN 10213 1.4057, EN 10088 5.3106, EN 1563 (JS1030) CC333G, EN 1982 - - 2.0835, DIN 17658	A 182, Grade F51 A 995, 5A/6A A 276, Grade 431 A 395, 60-40-18 B 148, C95800 B 148, C95500 A 494, CW-12MW -
08	Shaft	See ITEM 01	See ITEM 01	See ITEM 01
09	Lining	EPDM NBR FPM		
10	Sealing ring	Cu		
11	Plug	St./Zn5C		

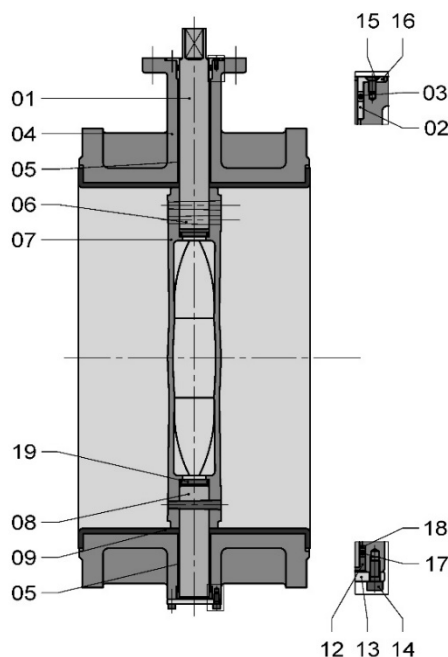
⁽¹⁾ Other materials on request; ⁽²⁾ For DN 250 and DN 300.

DIMENSIONS - EVFL 50-350 (2"-14")



DN	NPS	A	C	D	E	F	G	H	ISO 5211	K	L	M	n	MASS ±kg
50	2"	50	150	63	118	12	34	10	F07	70	90	9	4	11
65	2½"	65	170	71	126	12	34	10	F07	70	90	9	4	13
80	3"	80	180	78	133	12	34	10	F07	70	90	9	4	17
100	4"	100	190	98	147	12	34	12	F07	70	90	9	4	20
125	5"	125	200	109	160	12	34	12	F07	70	90	9	4	26
150	6"	150	210	133	180	14	34	16	F07	70	90	9	4	31
200	8"	200	230	158	204	14	34	16	F07	70	90	9	4	45
250	10"	250	250	194	245	15	45	24	F10	102	125	11	4	70
300	12"	300	270	219	270	15	45	24	F10	102	125	11	4	90
350	14"	336	290	236	315	15	45	24	F10	102	125	11	4	120

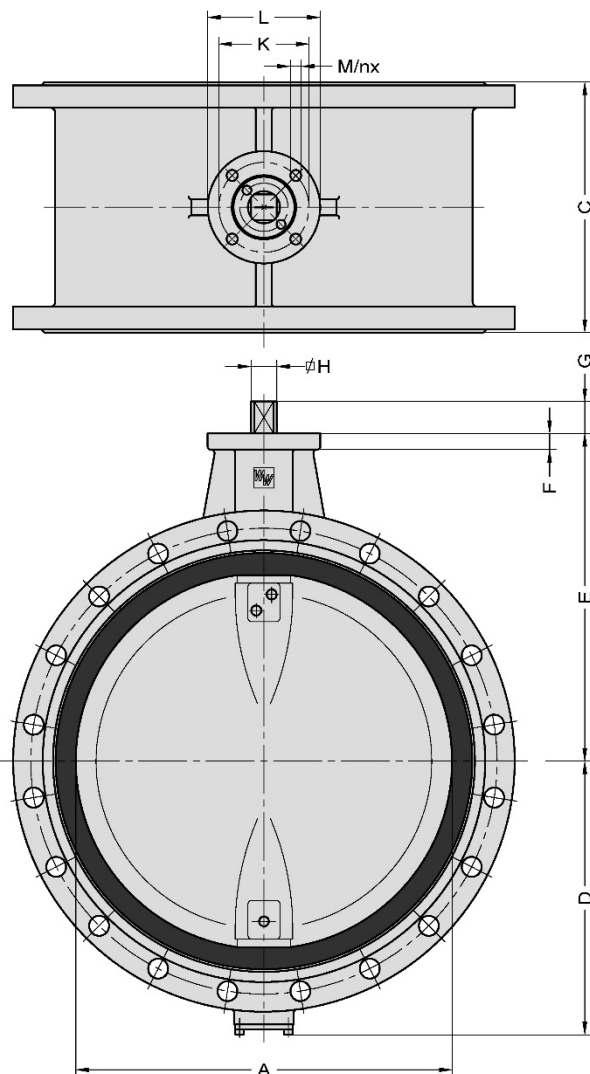
PARTS LIST - EVFL 400-1000 (16"-40")



Item	Description	Material ⁽¹⁾	EN/DIN	Comparable ASTM
01	Shaft	Duplex SS Super Duplex SS Martensitic SS Aluminium Bronze Monel K500* Hastelloy-C*	1.4462, EN 10088 1.4501, EN 10272 1.4057, EN 10088 CuAl10Ni5Fe4, EN 12163 NA 18, BS 3076 -	A 182, Grade F51 A 479, UNS 32760 A 276, Grade 431 B 150, C63000 - B 547, N10276
02	Bush	Bronze	-	
03	O-ring	EPDM NBR FPM		
04	Body	Ductile Iron Ductile Iron (low temp.) Aluminium Bronze Bronze Bronze Bronze	5.3106, EN 1563 (JS1030) 5.3103, EN 1563 (JS1049) CC333G, EN 1982 2.1096.01, DIN 1705 (CC491K, EN 1982) 2.1086.01, DIN 1705 (CC482K, EN 1982) CC493K, EN 1982	A 395, 60-40-18 - B 148, C95800 B 584, C83600 B 584, C90500 B 584, C93200
05	Bearing	St. / PTFE Lining Bronze / PTFE Lining		
06	Conical pin	See ITEM 01	See ITEM 01	See ITEM 01
07	Disc	Austenitic SS ⁽²⁾ Duplex SS ⁽³⁾ Super Duplex SS Martensitic SS ⁽⁴⁾ Ductile Iron / Rilsan coated Aluminium Bronze Aluminium Bronze Hastelloy-C* ⁽⁵⁾ CuNi ⁽⁵⁾	1.4408, EN 10213 1.4462, EN 10088 1.4469, EN 10213 1.4057, EN 10088 5.3106, EN 1563 (JS1030) CC333G, EN 1982 - - 2.0835, DIN 17658	A 351, CF8M A 182, Grade F51 A 995, 5A/6A A 276, Grade 431 A 395, 60-40-18 B 148, C95800 B 148, C95500 A 494, CW-12MW -
08	Shaft	See ITEM 01	See ITEM 01	See ITEM 01
09	Lining	EPDM NBR FPM		
12	Axial bearing	Bronze		
13	Cover plate	St./Zn5C		
14	Cylinder head screw	St./Zn5C		
15	Counter sunk screw	St./Zn5C		
16	Collar bearing	Bronze		
18	Ring	Bronze		
19	Sealing plate	St./NBR St./FPM		

⁽¹⁾ Other materials on request; ⁽²⁾ for ≥ DN 500; ⁽³⁾ forged ≤ DN 450, casted ≥ DN 500, material 1.4517, EN 10213 (ASTM A 351, CD-4MCu); ⁽⁴⁾ forged ≤ DN 450; ⁽⁵⁾ ≤ DN 500.

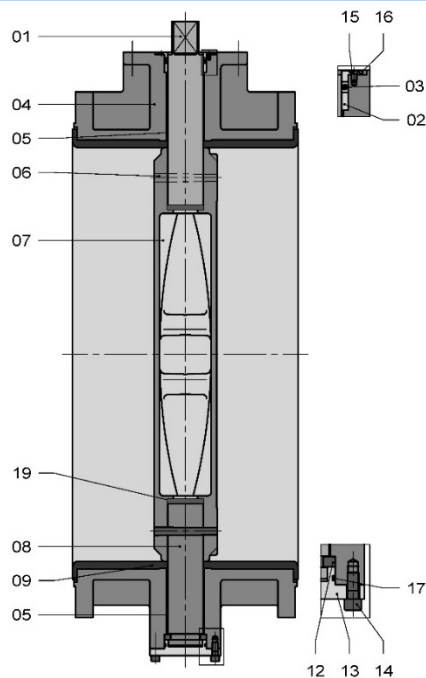
DIMENSIONS - EVFL 400-1000 (16"-40")



DN	NPS	A	C	D	E	F	G	H	ISO 5211	K	L	M	n	MASS ±kg
400	16"	386	310	308	363	25	50	30	F14	140	175	17	4	165
450	18"	436	330	334	388	25	50	30	F14	140	175	17	4	200
500	20"	486	350	360	413	25	50	30	F14	140	175	17	4	230
600	24"	586	390	426	510	25	50	40	F14	140	175	17	4	320
700	28"	686	430	499	560	25	60	46	F16	165	210	21	4	420
800	32"	786	470	549	610	25	60	46	F16	165	210	21	4	610
800 ⁽¹⁾	32"	786	470	549	610	30	90	60	F25	254	300	17	8	610
900	36"	886	510	625	690	30	90	60	F25	254	300	17	8	820
1000	40"	986	550	685	740	30	90	60	F25	254	350	17	8	1130
1000	40"	986	550	685	740	30	90	60	F30	298	350	21	8	1130

⁽¹⁾ For 16 bar trim only.

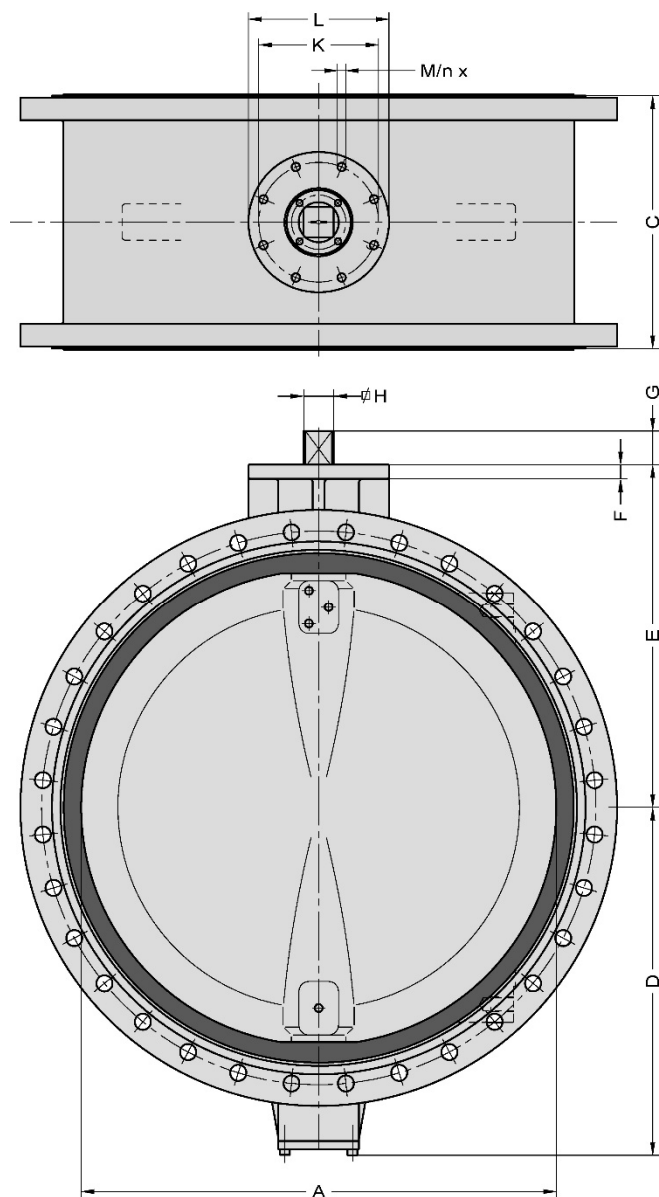
PARTS LIST – EVFL 1200-2000 (48"-80")



Item	Description	Material ⁽¹⁾	EN/DIN	Comparable ASTM
01	Shaft	Duplex SS Super Duplex SS Martensitic SS Aluminium Bronze Monel K500* Hastelloy-C*	1.4462, EN 10088 1.4501, EN 10272 1.4057, EN 10088 CuAl10Ni5Fe4, EN 12163 NA 18, BS 3076 -	A 182, Grade F51 A 479, UNS 32760 A 276, Grade 431 B 150, C63000 - B 547, N10276
02	Bush	Bronze		
03	O-ring	EPDM NBR FPM		
04	Body	Ductile Iron Ductile Iron (low temp.) Aluminium Bronze Bronze Bronze Bronze	5.3106, EN 1563 (JS1030) 5.3103, EN 1563 (JS1049) CC333G, EN 1982 2.1096.01, DIN 1705 (CC491K, EN 1982) 2.1086.01, DIN 1705 (CC482K, EN 1982) CC493K, EN 1982	A 395, 60-40-18 - B 148, C95800 B 584, C83600 B 584, C90500 B 584, C93200
05	Bearing	St. / PTFE Lining Bronze / PTFE Lining		
06	Conical pin	See ITEM 01	See ITEM 01	See ITEM 01
07	Disc	Austenitic SS Duplex SS Super Duplex SS Ductile Iron / Rilsan coated Aluminium Bronze Aluminium Bronze	1.4408, EN 10213 1.4517, EN 10213 1.4469, EN 10213 5.3106, EN 1563 (JS1030) CC333G, EN 1982 -	A 351, CF8M A 351, CD-4MCu A 995, 5A/6A A 395, 60-40-18 B 148, C95800 B 148, C95500
08	Shaft	See ITEM 01	See ITEM 01	See ITEM 01
09	Lining	EPDM NBR FPM		
12	Axial bearing	Bronze		
13	Cover plate	St./Zn5C		
14	Cylinder head screw	St./Zn5C		
15	Counter sunk screw	St./Zn5C		
16	Flanged bush	Bronze		
17	O-ring	EPDM NBR FPM		
19	Sealing plate	St./NBR St./FPM		

⁽¹⁾ Other materials on request.

DIMENSIONS - EVFL 1200-2000 (48"-80")



DN	NPS	A	C	D	E	F	G	H	ISO 5211	K	L	M	n	MASS ±kg
1200	48"	1186	630	866	855	35	85	75	F30	298	415	21	8	1600
1200	48"	1186	630	866	855	35	85	75	F35	356	415	31	8	1600
1400	56"	1386	710	966	955	35	85	75	F30	356	415	31	8	2100
1400	56"	1386	710	966	955	35	85	75	F35	356	415	31	8	2100
1400	56"	1386	710	966	955	35	100	90	F35	356	415	31	8	2100
1500	60"	1484	[Ⓢ] 750	1045	1012	50	100	90	F35	356	475	31	8	2500
1500	60"	1484	[Ⓢ] 750	1045	1012	50	120	105	F40	406	475	37	8	2500
1600	64"	1586	790	1086	1079	50	100	90	F35	356	475	31	8	2900
1600	64"	1586	790	1086	1079	50	120	105	F40	406	475	37	8	2900
1800	72"	1776	870	1192	1176	50	100	90	F35	356	475	31	8	3900
1800	72"	1776	870	1192	1176	50	120	105	F40	406	475	37	8	3900
2000	80"	1976	950	1291	1276	50	120	105	F35	356	475	31	8	4500
2000	80"	1976	950	1291	1276	50	140	120	F40	406	475	37	8	4500

[Ⓢ] Manufacturer's standard