

DESIGN

Body	Flangeless wafer type (lugged)
End Connection	EN 1092 PN 25, 40 ASME B16.5 cl. 300 / B16.47 cl. 300 MSS SP 44 cl. 300
Face to Face	EN558-1/2 Series 16
Disc Seat	Replaceable
Shaft Seal Design	Stuffing box
Driving Shaft	With indicator for position of the disc
Special Design Options	-

TESTING PROCEDURES

Shell strength test	EN 12266-1, P10 DIN 3230, Part 3 API 598
Shell tightness test	EN 12266-1, P11 API 598
Seat tightness test	EN 12266-1, P12, Rate A/B ISO 5208, Rate A/B API 598
Operability test	EN 12266-2, F20 DIN 3230, Part 3 API 598

**OPTIONS**

Anti-Static Design	In accordance with EN 736/3 and API 609
--------------------	---

FUNCTIONAL CHARACTERISTICS

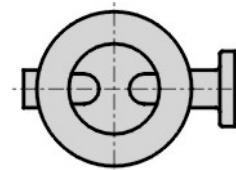
Application	On/off
Design pressure PS	Maximum 50 bar
Design temp. TS	-40°C (-40°F) to +250 °C (482 °F), higher on request
Flow velocity	5 m/s for liquids, 50 m/s for gases
Seat tightness rate	Bi-directional - ISO 5208 rate A (soft seated) Uni-directional - ISO 5208 rate B (metal seated)

MARKING & CERTIFICATION

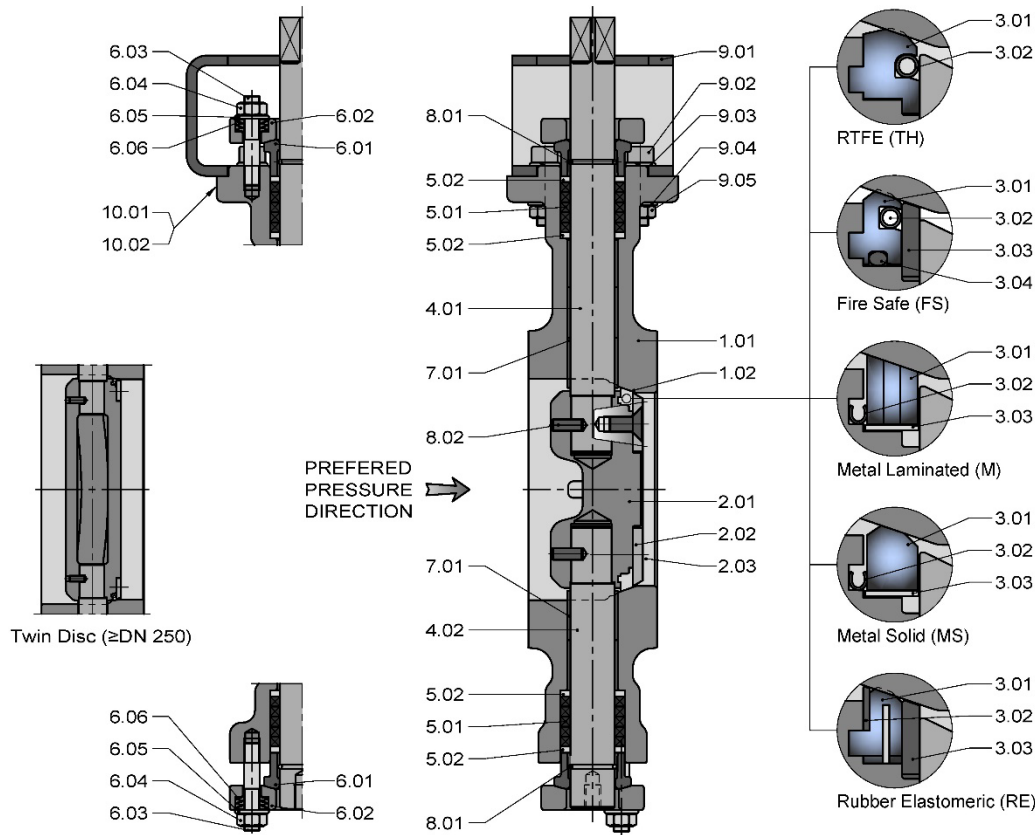
Marking	EN 19, MSS SP 25
Certification	EN 10204 - 2.2, 3.1, 3.2
PED	Category III

PRODUCT DATA

General Description	BUTTERFLY VALVE - High Performance double eccentric
Design Code	EN 593
Size Range	DN 50 - 600, NPS 2"- 24"
Maximum Pressure	50 bar

PREFERRED POSITION WHEN INSTALLED IN HORIZONTAL PIPELINE

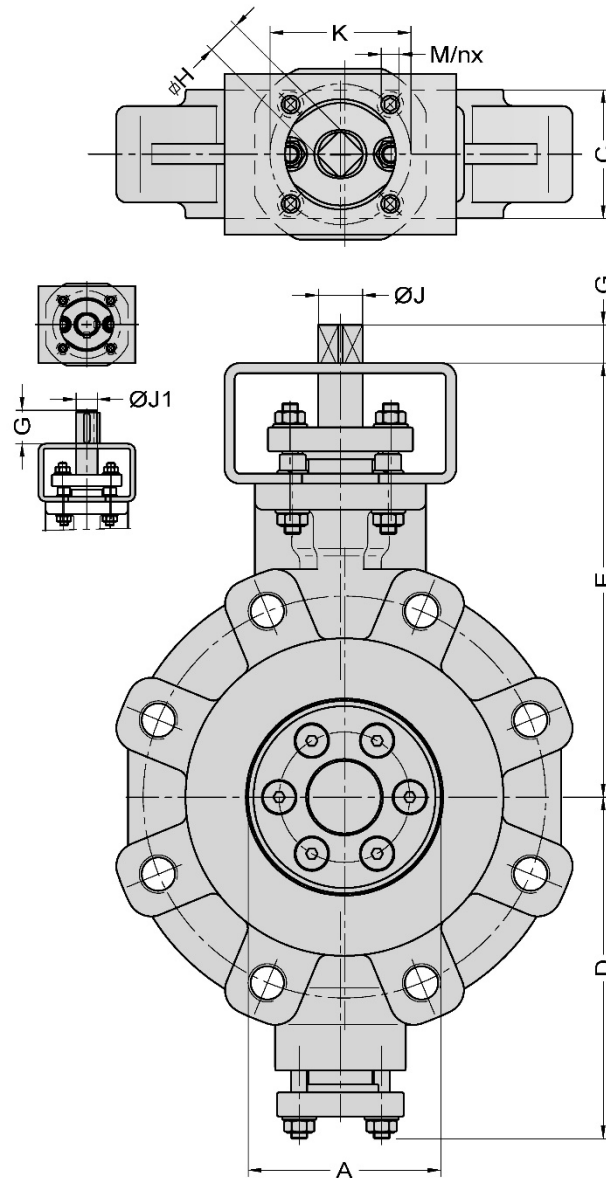
PARTS LIST - DYNAXE L162 - 50-600 (2"-24")



Item	Description	Material ⁽¹⁾	EN/DIN	Comparable ASTM
1.01	Body	Austenitic SS Carbon Steel	1.4408, EN 10213 1.0619, EN 10213	A 351, CF8M A 216, WCB
1.02	Body seat	Stainless steel Stellite	1.4370	-
2.01	Disc	Austenitic SS ⁽²⁾ Carbon Steel ⁽³⁾	1.4401, EN 10088 1.0460, EN 10273	A 182, F316 A 105 N
2.02	Retaining ring	Austenitic SS	1.4401, EN 10088	A 182, F316
2.03	Screw	Stainless Steel - A4/70		
3.01	Disc seat ring (TH)	RTFE 15-12-3	-	-
3.02	Helix coil	Austenitic SS	1.4401, EN 10088	A 182, F316
4.01	Upper shaft	Austenitic SS Martensitic SS	1.3964 1.4021, EN 10088	A 479, XM-19 A 276, 420
4.02	Lower shaft	See ITEM 4.01	See ITEM 4.01	See ITEM 4.01
5.01	Packing ring	Graphite (>99.85%)		
5.02	Taper ring	Austenitic SS	1.4401, EN 10088	A 182, F316
6.01	Packing gland	Austenitic SS	1.4408, EN 10213	A 351, CF8M
6.02	Gland flange	Austenitic SS	1.4408, EN 10213	A 351, CF8M
6.03	Stud bolt	Stainless Steel - A4/70		
6.04	Hex. nut	Stainless Steel - A4/70		
6.05	Washer	Stainless Steel - A4		
6.06	Bevelled washer	Stainless Steel		
7.01	Sliding bearing	Austenitic SS / coated	1.4401, EN 10088	A 182, F316
8.01	Snap ring	Stainless Steel	1.4310	
8.02	Set screw	Stainless Steel - A4/70		
9.01	Bracket	Austenitic SS	1.4401, EN 10088	A 182, F316
9.02	Screw	Stainless Steel - A4/70		
9.03	Washer	Stainless Steel - A4		
9.04	Spring lock washer	Stainless Steel - A4		
9.05	Hex. nut	Stainless Steel - A4/70		
10.01	Marking plate	Austenitic SS	1.4401, EN 10088	A 182, F316
10.02	Blind rivet	Stainless Steel - A4		

⁽¹⁾ Other materials like Duplex, 6Mo, Titanium, on request
⁽²⁾ forged ≤ DN 125, casted ≥ DN 150, material 1.4408, EN 10213 (A 351, CF8M)
⁽³⁾ forged ≤ DN 125, casted ≥ DN 150, material 1.0619, EN 10213 (A 216, WCB)

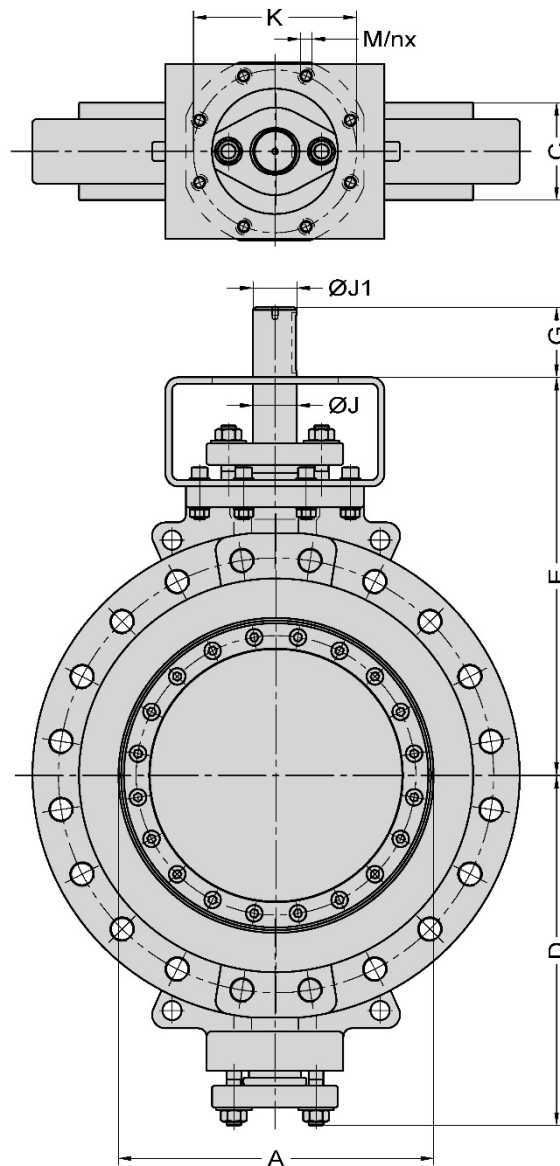
DIMENSIONS - DYNAXE L162 - 50-400 (2"-16")



DN	NPS	A	B	C	D	E	G ^(*)	H ^(*)	J ^(*)	J1 ^(*)	ISO 5211	K	M	n	MASS ±kg
50	2"	58	101	43	139	197	15	14	18	-	F05	50	7	4	9
65	2½"	58	120	46	139	197	15	14	18	-	F05	50	7	4	11
80	3"	71	135	64	157	204	19	17	22	-	F07	70	9	4	16
100	4"	96	158	64	170	216	19	17	22	-	F07	70	9	4	19
125	5"	120	188	70	202	263	22	22	28	-	F10	102	11	4	31
150	6"	150	215	76	217	278	22	22	28	-	F10	102	11	4	44
200	8"	197	276	89	252	307	28	27	36	-	F12	125	13	4	67
250	10"	251	330	114	319	388	65	-	45	42	F14	140	17	4	123
300	12"	301	389	114	343	413	65	-	45	42	F14	140	17	4	150
350	14"	323	430	127	441	473	78	-	60	60	F16	165	21	4	260
400	16"	372	505	140	495	585	110	-	72	72	F25	254	17	8	366

^(*) See actuator attachment dimensions (PDS03.00.001) for complete survey

DIMENSIONS - DYNAXE L162 - 450-600 (18"-24")



DN	NPS	A	B	C	D	E	G ^(*)	J ^(*)	J1 ^(*)	ISO 5211	K	M	n	MASS ±kg
450	18"	425	547	152	521	611	110	72	72	F25	254	17	8	413
500	20"	477	610	152	550	642	110	72	72	F25	254	17	8	474
600	24"	559	720	178	640	728	130	80	80	F30	298	21	8	788

^(*) See actuator attachment dimensions (PDS03.00.001) for complete survey

Disc Seat Options – Dynaxe W201, W162, L201, L162, F131, F142**RTFE Fire Safe Design (TF)**

3.01	Disc seat ring	RTFE 15-12-3		
3.02	Helix coil	Austenitic SS	1.4401, EN 10088	A 182, F316
3.03	Fire safe seat ring	Austenitic SS	1.4401, EN 10088	A 182, F316
3.04	O-ring	FPM		

Rubber Elastomeric (RE)

3.01	Disc seat ring	Rubber (FPM, NBR, EPDM)		
3.02	Metal Back-up ring	Austenitic SS	1.4401, EN 10088	A 182, F316
3.03	Fire safe seat ring	Austenitic SS	1.4401, EN 10088	A 182, F316

Metal Laminated Seat (M)

3.01	Disc seat ring	Austenitic SS + Graphite	1.4401, EN 10088	A 182, F316
3.02	C-ring	Inconel® 718		
3.03	Sinus spring	Stainless Steel		

Metal Solid Seat - Stainless steel (MS1)

3.01	Disc seat ring	Austenitic SS / coated	1.4401, EN 10088	A 182, F316
3.02	C-ring	Inconel® 718		
3.03	Sinus spring	Stainless Steel		

Metal Solid Seat - Bronze (MS2)

3.01	Disc seat ring	Aluminum Bronze		
3.02	C-ring	Inconel® 718		
3.03	Sinus spring	Stainless Steel		

Metal Solid Seat - Inconel (MS3)

3.01	Disc seat ring	Inconel® 625		
3.02	C-ring	Inconel® 718		
3.03	Sinus spring	Stainless Steel		