

DESIGN

| | |
|------------------------|---|
| Body | Double flanged type |
| End Connection | EN 1092 PN 10, 16 ASME B16.5 cl. 150 / B16.47 cl. 150 MSS SP 44 cl. 150 |
| Face to Face | EN558 Basic Series 13 / API 609 |
| Disc Seal | Replaceable |
| Shaft Seal Design | Stuffing box |
| Driving Shaft | With indicator for position of the disc |
| Special Design Options | - |

TESTING PROCEDURES

| | |
|----------------------|--|
| Shell strength test | EN 12266-1, P10 ISO 5208 API 598 |
| Shell tightness test | EN 12266-1, P11 ISO 5208 API 598 |
| Seat tightness test | EN 12266-1, P12, Rate A/B ISO 5208, Rate A/B API 598 |
| Operability test | EN 12266-2, F20 ISO 5208 API 598 |

**OPTIONS**

| | |
|--------------------|---|
| Anti-Static Design | In accordance with EN 736/3 and API 609 |
|--------------------|---|

FUNCTIONAL CHARACTERISTICS

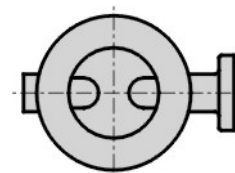
| | |
|---------------------|--|
| Application | On/off or regulating/control |
| Design pressure PS | Maximum 50 bar |
| Design temp. TS | -40°C (-40°F) to +250 °C (482 °F), higher on request |
| Flow velocity | 5 m/s for liquids, 50 m/s for gases |
| Seat tightness rate | Bi-directional - ISO 5208, EN 12266-1 rate A and API 598 (soft seated) Uni-directional - ISO 5208, EN 12266-1 rate B and API 598 (metal seated) |

MARKING & CERTIFICATION

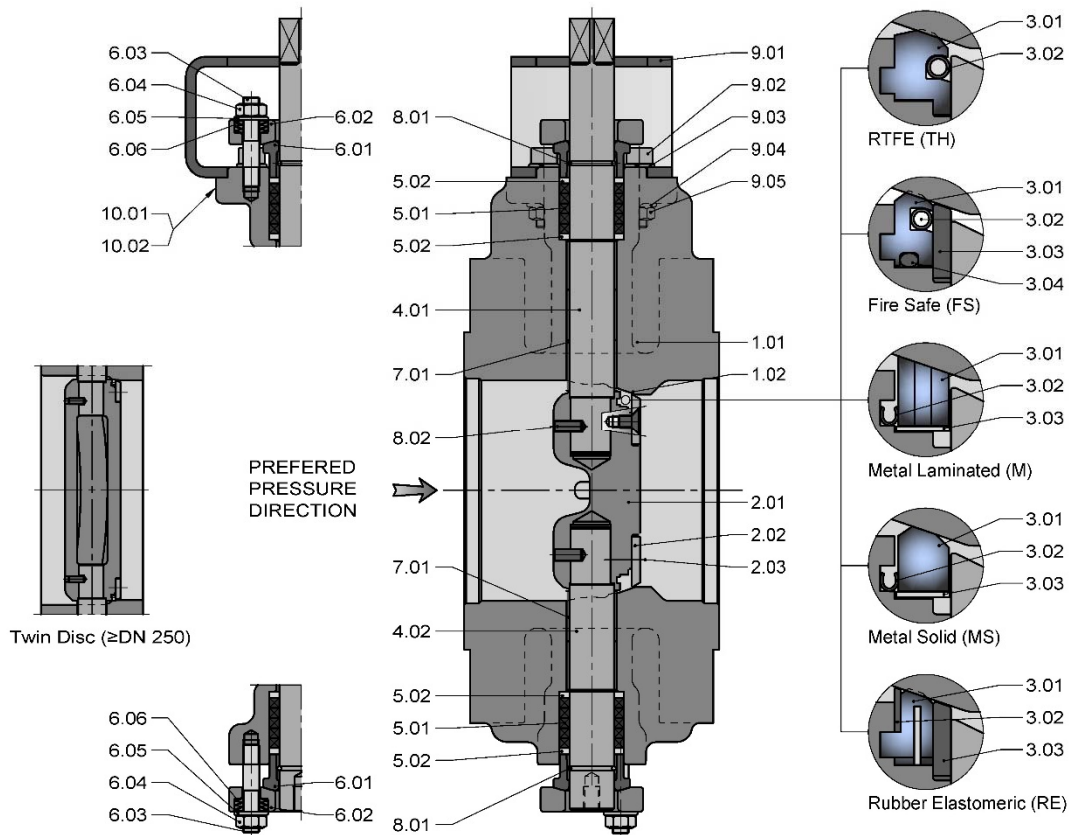
| | |
|---------------|--------------------------|
| Marking | EN 19, API 609 |
| Certification | EN 10204 - 2.2, 3.1, 3.2 |
| PED | Category III |

PRODUCT DATA

| | |
|---------------------|--|
| General Description | BUTTERFLY VALVE - High Performance double eccentric |
| Design Code | EN 593 / API 609 |
| Size Range | DN 50 - 900, NPS 2" - 36" |
| Maximum Pressure | 20 bar |

PREFERRED POSITION WHEN INSTALLED IN HORIZONTAL PIPELINE

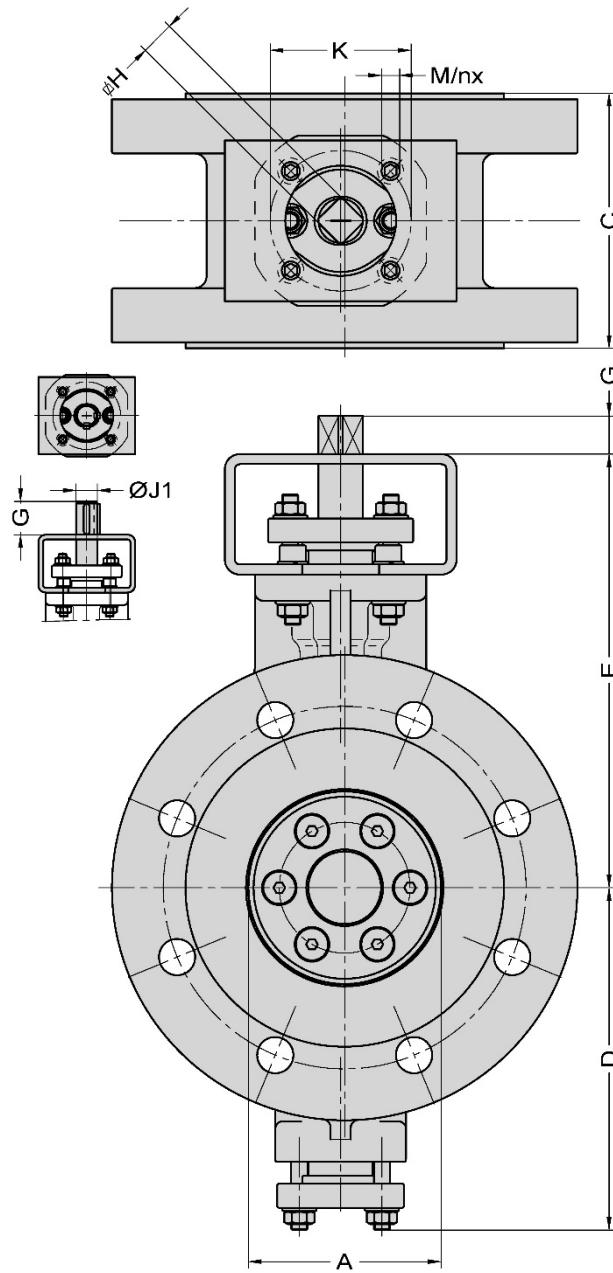
PARTS LIST - DYNAXE F131 - 50-900 (2"-36")



| Item | Description | Material ⁽¹⁾ | EN/DIN | Comparable ASTM |
|-------|---------------------|---|---------------------------------------|----------------------------|
| 1.01 | Body | Austenitic SS Carbon Steel | 1.4408, EN 10213 1.06019, EN 10213 | A 351, CF8M A 216, WCB |
| 1.02 | Body seat | Stainless steel Stellite | 1.4370 | - |
| 2.01 | Disc | Austenitic SS ⁽²⁾ Carbon Steel ⁽³⁾ | 1.4401, EN 10088 1.0460, EN 10273 | A 182, F316 A 105 N |
| 2.02 | Retaining ring | Austenitic SS | 1.4401, EN 10088 | A 182, F316 |
| 2.03 | Screw | Stainless Steel - A4/70 | | |
| 3.01 | Disc seat ring (TH) | RTFE 15-12-3 | - | - |
| 3.02 | Helix coil | Austenitic SS | 1.4401, EN 10088 | A 182, F316 |
| 4.01 | Upper shaft | Austenitic SS Martensitic SS | 1.3964 1.4021, EN 10088 | A 479, XM-19 A 276, 420 |
| 4.02 | Lower shaft | See ITEM 4.01 | See ITEM 4.01 | See ITEM 4.01 |
| 5.01 | Packing ring | Graphite (>99.85%) | | |
| 5.02 | Taper ring | Austenitic SS | 1.4401, EN 10088 | A 182, F316 |
| 6.01 | Packing gland | Austenitic SS | 1.4408, EN 10213 | A 351, CF8M |
| 6.02 | Gland flange | Austenitic SS | 1.4408, EN 10213 | A 351, CF8M |
| 6.03 | Stud bolt | Stainless Steel - A4/70 | | |
| 6.04 | Hex. nut | Stainless Steel - A4/70 | | |
| 6.05 | Washer | Stainless Steel - A4 | | |
| 6.06 | Bevelled washer | Stainless Steel | | |
| 7.01 | Sliding bearing | Austenitic SS / coated | 1.4401, EN 10088 | A 182, F316 |
| 8.01 | Snap ring | Stainless Steel | 1.4310 | |
| 8.02 | Set screw | Stainless Steel - A4/70 | | |
| 9.01 | Bracket | Austenitic SS | 1.4401, EN 10088 | A 182, F316 |
| 9.02 | Screw | Stainless Steel - A4/70 | | |
| 9.03 | Washer | Stainless Steel - A4 | | |
| 9.04 | Spring lock washer | Stainless Steel - A4 | | |
| 9.05 | Hex. nut | Stainless Steel - A4/70 | | |
| 10.01 | Marking plate | Austenitic SS | 1.4401, EN 10088 | A 182, F316 |
| 10.02 | Blind rivet | Stainless Steel - A4 | | |

⁽¹⁾ Other materials like Duplex, 6Mo, Titanium, on request
⁽²⁾ forged ≤ DN 200, casted ≥ DN 250, material 1.4408, EN 10213 (A 351, CF8M)
⁽³⁾ forged ≤ DN 200, casted ≥ DN 250, material 1.0619, EN 10213 (A 216, WCB)

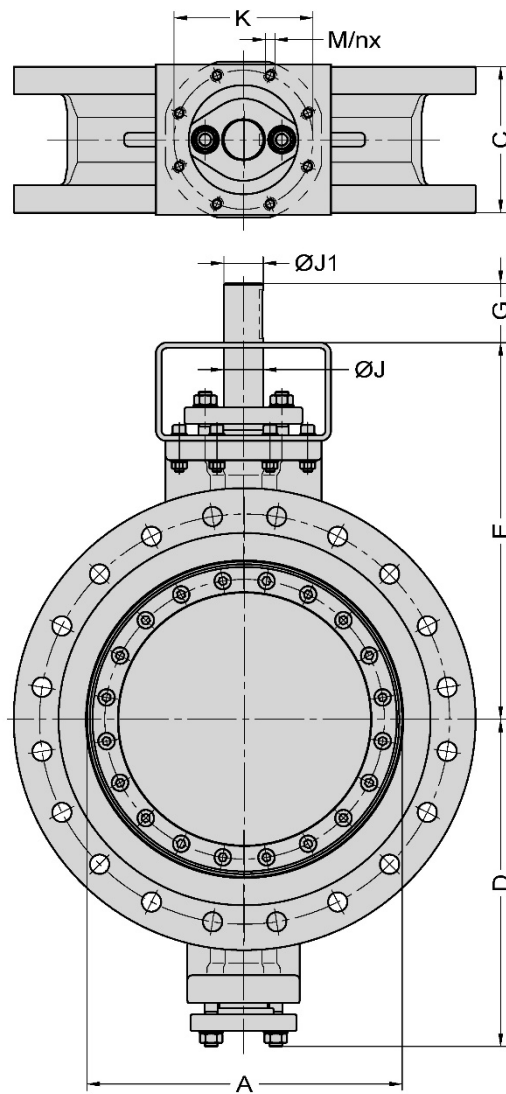
DIMENSIONS - DYNAXE F131 - 50-400 (2"-16")



| DN | NPS | A | C | D | E | G ^(*) | H ^(*) | J ^(*) | J1 ^(*) | ISO 5211 | K | M | n | MASS ±kg |
|-----|-----|-----|-----|-----|-----|------------------|------------------|------------------|-------------------|----------|-----|----|---|----------|
| 50 | 2" | 58 | 108 | 139 | 197 | 15 | 14 | 18 | - | F05 | 50 | 7 | 4 | |
| 65 | 2½" | 58 | 112 | 139 | 197 | 15 | 14 | 18 | - | F05 | 50 | 7 | 4 | |
| 80 | 3" | 71 | 114 | 146 | 202 | 15 | 14 | 18 | - | F05 | 50 | 7 | 4 | |
| 100 | 4" | 96 | 127 | 170 | 216 | 19 | 17 | 22 | - | F07 | 70 | 9 | 4 | |
| 125 | 5" | 120 | 140 | 182 | 228 | 19 | 17 | 22 | - | F07 | 70 | 9 | 4 | |
| 150 | 6" | 150 | 140 | 196 | 247 | 19 | 17 | 22 | - | F07 | 70 | 9 | 4 | |
| 200 | 8" | 197 | 152 | 240 | 301 | 22 | 22 | 28 | - | F10 | 102 | 11 | 4 | |
| 250 | 10" | 250 | 165 | 279 | 334 | 28 | 27 | 36 | - | F12 | 125 | 13 | 4 | |
| 300 | 12" | 301 | 178 | 311 | 359 | 28 | 27 | 36 | - | F12 | 125 | 13 | 4 | |
| 350 | 14" | 327 | 190 | 358 | 427 | 65 | - | 45 | 42 | F14 | 140 | 17 | 4 | |
| 400 | 16" | 379 | 216 | 384 | 453 | 65 | - | 45 | 42 | F14 | 140 | 17 | 4 | |

^(*) See actuator attachment dimensions (PDS03.00.001) for complete survey

DIMENSIONS - DYNAXE F131 - 450-900 (18"-36")



| DN | NPS | A | C | D | E | G ^(*) | J ^(*) | J1 ^(*) | ISO 5211 | K | M | n | MASS ±kg |
|-----|-----|-----|----------|-----|-----|------------------|------------------|-------------------|----------|-----|----|---|----------|
| 450 | 18" | 428 | 222 | 493 | 525 | 78 | 60 | 60 | F16 | 165 | 21 | 4 | |
| 500 | 20" | 480 | 229 | 519 | 551 | 78 | 60 | 60 | F16 | 165 | 21 | 4 | |
| 600 | 24" | 571 | 267 | 598 | 688 | 110 | 72 | 72 | F25 | 254 | 17 | 8 | |
| 700 | 28" | 676 | 292 | 648 | 738 | 110 | 72 | 72 | F25 | 254 | 17 | 8 | |
| 750 | 30" | 726 | (**) 318 | 719 | 812 | 130 | 80 | 80 | F30 | 298 | 21 | 8 | |
| 800 | 32" | 776 | 318 | 744 | 837 | 130 | 80 | 80 | F30 | 298 | 21 | 8 | |
| 900 | 36" | 876 | 330 | 794 | 887 | 130 | 80 | 80 | F30 | 298 | 21 | 8 | |

^(*) See actuator attachment dimensions (PDS03.00.001) for complete survey

^(**) Manufacturers standard

Disc Seat Options - Dynaxe W201, W162, L201, L162, F131, F142**RTFE Fire Safe Design (TF)**

| | | | | |
|------|---------------------|---------------|------------------|-------------|
| 3.01 | Disc seat ring | RTFE 15-12-3 | | |
| 3.02 | Helix coil | Austenitic SS | 1.4401, EN 10088 | A 182, F316 |
| 3.03 | Fire safe seat ring | Austenitic SS | 1.4401, EN 10088 | A 182, F316 |
| 3.04 | O-ring | FPM | | |

Rubber Elastomeric (RE)

| | | | | |
|------|---------------------|-------------------------|------------------|-------------|
| 3.01 | Disc seat ring | Rubber (FPM, NBR, EPDM) | | |
| 3.02 | Metal Back-up ring | Austenitic SS | 1.4401, EN 10088 | A 182, F316 |
| 3.03 | Fire safe seat ring | Austenitic SS | 1.4401, EN 10088 | A 182, F316 |

Metal Laminated Seat (M)

| | | | | |
|------|----------------|--------------------------|------------------|-------------|
| 3.01 | Disc seat ring | Austenitic SS + Graphite | 1.4401, EN 10088 | A 182, F316 |
| 3.02 | C-ring | Inconel® 718 | | |
| 3.03 | Sinus spring | Stainless Steel | | |

Metal Solid Seat - Stainless steel (MS1)

| | | | | |
|------|----------------|------------------------|------------------|-------------|
| 3.01 | Disc seat ring | Austenitic SS / coated | 1.4401, EN 10088 | A 182, F316 |
| 3.02 | C-ring | Inconel® 718 | | |
| 3.03 | Sinus spring | Stainless Steel | | |

Metal Solid Seat - Bronze (MS2)

| | | | | |
|------|----------------|-----------------|--|--|
| 3.01 | Disc seat ring | Aluminum Bronze | | |
| 3.02 | C-ring | Inconel® 718 | | |
| 3.03 | Sinus spring | Stainless Steel | | |

Metal Solid Seat - Inconel (MS3)

| | | | | |
|------|----------------|-----------------|--|--|
| 3.01 | Disc seat ring | Inconel® 625 | | |
| 3.02 | C-ring | Inconel® 718 | | |
| 3.03 | Sinus spring | Stainless Steel | | |