

PRODUCT DATA

General Description	BUTTERFLY VALVE - Centric rubber lined
Design Code	EN 593
Size Range	DN 50 - 300, NPS 2" - 12"
Maximum Pressure	10/16bar - optional 20bar ≤

DESIGN

Body	Flangeless wafer type
End Connection	EN 1092 PN6, 10, 16 ASME B16.5 cl.150 JIS 5/10/16K
Face to Face	EN558-1/2 Series 20 API 609 Cat. A
Body Seat	Non replaceable Lining bonded to the body
Shaft Seal Design	O-ring bush
Driving Shaft	With indication for position of the disc

TESTING PROCEDURES

Shell strength test	EN 12266-1, P10 ISO 5208 API 598
Shell tightness test	EN 12266-1, P11 ISO 5208 API 598
Seat tightness test	EN 12266-1, P12, Rate A ISO 5208, Rate A API 598
Operability test	EN 12266-2, F20 ISO 5208 API 598

OPTIONS

Anti-Static Design	EN 736/3 and API 609
--------------------	----------------------

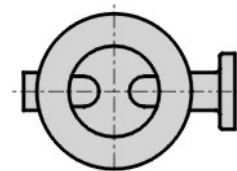
FUNCTIONAL CHARACTERISTICS

Application	On/off, regulating, control valve
Design pressure PS	Max. 16bar / 20bar on request
Design temp. TS	-20°C (-4°F) to +200° (392°F)
Flow velocity	Max. 5m/s l(liquids) or 50m/s (gas)
Seat tightness rate	Bi-directional - ISO 5208 rate A

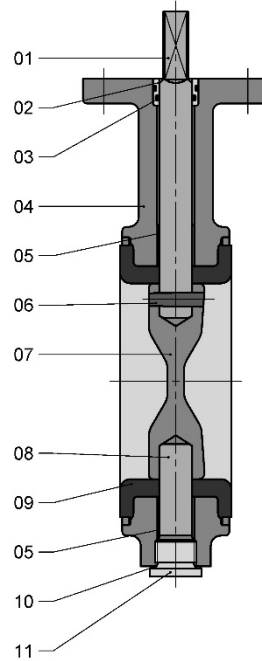
MARKING & CERTIFICATION

Marking	EN 19, MSS SP 25
Certification	EN 10204 - 2.2, 3.1, 3.2

PREFERRED POSITION WHEN INSTALLED IN HORIZONTAL PIPELINE



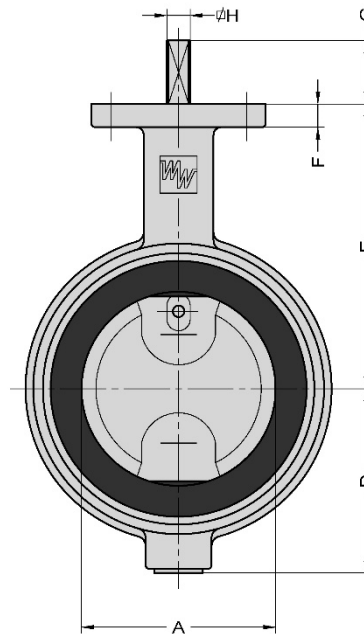
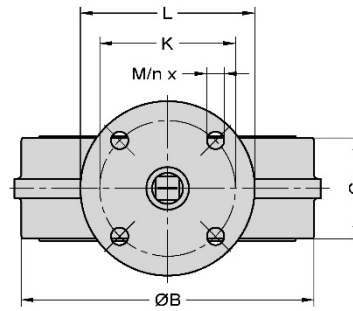
PARTS LIST - EVS 50-300 (2"-12")



Item	Description	Material ⁽¹⁾	EN/DIN	Comparable ASTM
01	Shaft	Duplex SS	1.4462, EN 10088	A 182, Grade F51
02	Bush	POM	Polyoxymethylene, ISO 29988-1	
03	O-ring	EPDM NBR		
04	Body	Aluminium	EN AC-42100	
05	Bearing	POM	Polyoxymethylene, ISO 29988-1	
06	Conical pin	See ITEM 01	See ITEM 01	See ITEM 01
07	Disc	Duplex SS	1.4462, EN 10088	A 182, Grade F51
08	Shaft	See ITEM 01	See ITEM 01	See ITEM 01
09	Lining	EPDM NBR		
10	Sealing ring	Fiber		
11	Plug	SS A4-70		

⁽¹⁾ Other materials on request

DIMENSIONS - EVS 50-300 (2"-12")



DN	NPS	A	B	C	D	E	F	G	H	ISO 5211	K	L	M	n	MASS ±kg
50	2"	50	100	43	63	118	12	34	10	F07	70	90	9	4	1.2
65	2½"	65	115	46	71	126	12	34	10	F07	70	90	9	4	1.5
80	3"	80	130	46	78	133	12	34	10	F07	70	90	9	4	1.7
100	4"	100	150	52	98	147	12	34	12	F07	70	90	9	4	2.1
125	5"	125	182	56	109	160	12	34	12	F07	70	90	9	4	3.0
150	6"	150	210	56	133	180	14	34	16	F07	70	90	9	4	3.8
200	8"	200	262	60	158	204	14	34	16	F07	70	90	9	4	5.2
250	10"	250	315	68	194	245	15	45	24	F10	102	125	11	4	9.9
300	12"	300	371	78	219	270	15	45	24	F10	102	125	11	4	14.4